

# LGMG

## A45JE

### ARTICULATING BOOM LIFT

- Battery powered provides quiet, zero-emission and long battery duty cycle.
- Proportional control ensures smooth driving, precise positioning and comfortable operation.
- Self-leveling platform together with hydraulic platform rotation delivers exceptional productivity.
- Intelligent self-diagnostic system for quick troubleshooting.
- Lead-acid battery, lithium battery (A45JE-Li) two options.



# LGMG Electric - Articulating Boom Lift

## SPECIFICATIONS

MODELS	A45JE (A14JE)	
Measurements	Imperial	Metric
Work Height Max.	51'10"	15.8m
Platform Height Max.	45'3"	13.8m
Horizontal Outreach	25'7"	7.81m
Up and Over Height	23'10"	7.26m
Platform Length	6'	1.83m
Platform Width	2'6"	0.76m
<b>A</b> Stowed Length	21'10"	6.66m
Length-Transport (jib tucked)	19'2"	5.85m
<b>B</b> Stowed Width	5'11"	1.8m
<b>C</b> Stowed Height	6'6"	1.98m
Height-Transport	8'6"	2.6m
<b>D</b> Wheelbase	6'8"	2.03m
<b>E</b> Ground Clearance	9"	0.24m

### PRODUCTIVITY

Max. Platform Occupancy	2	
Platform Capacity	507 lbs	230kg
Turning Radius-Inside	6'	1.83m
Turning Radius-Outside	13'5"	4.1m
Turntable Rotation	355°	355°
Max.Slope	3°/3°	3°/3°
Max. Drive Speed (Stowed)	3mph	4.8km/h
Max. Drive Speed (Raised)	0.62mph	1km/h
Gradeability	30%	30%
Tire Type	Foam-filled non-marking	
Tire Models	9-14.5	
Ground Pressure, Tyres	119 psi	820.8 kPa

### POWER

Lead-acid Battery	48V(8x6V),390Ah,FLA	
Lithium Battery (A45JE-Li)	48V 280Ah	

### HYDRAULIC SYSTEM

Hydraulic Oil Capacity	7.9gal	30L
------------------------	--------	-----

### WEIGHT

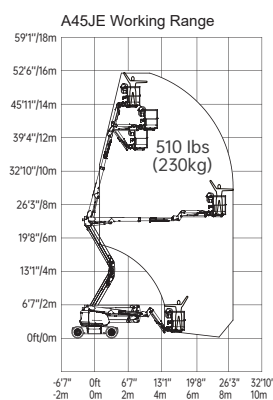
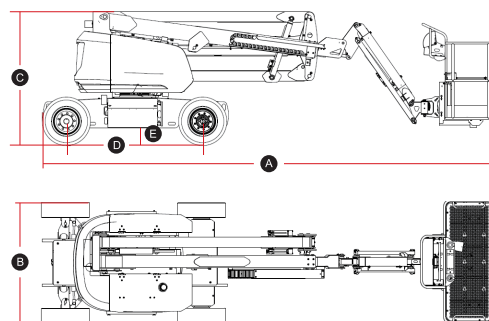
Machine Weight	16,535 lbs	7,500kg
----------------	------------	---------

### STANDARD FEATURES

Proportional control	Platform auto-leveling system
Horn/Hour meter	On-board diagnostic system
Tilt alarm with lift cut-out	Rear-wheel drive and break
Emergency stop button	Over tilt protection system
Anti-collision protection	Overload sensing system
Full-height drive	Descent alarm with flashing beacon
Telematics connector	Platform tool box
Foam-filled tires	

### OPTIONAL

Telematics	Solid tires
AC power to platform	Solid non-marking tires
Biodegradable hydraulic oil	



Please contact LGMG or a local dealer for more details.

LGMG reserves the right to change technical data without prior notice. All photos and pictures in this brochure are for promotional purposes only.

## LGMG North America Inc.

Address: 4105 Live Oak Drive, Suite 100, The Colony, Texas 75056 United States  
 Email: sales@lmgna.com Tel: +1 833 288 5464

www.lmgna.com



**LGMG**  
 RELIABILITY IN ACTION