

LGMG

AR45J

ARTICULATING BOOM LIFT

- The oscillating axels and four-wheel drive deliver better gradeability on rough terrain.
- Proportional smooth driving, precise positioning and comfortable operation.
- Self-leveling platform together with hydraulic platform rotation delivers exceptional productivity.
- Swing out engine tray for easy access and maintenance.
- Intelligent self-diagnostic system for quick troubleshooting.



LGMG Diesel - Articulating Boom Lift

SPECIFICATIONS

MODELS	AR45J (AR14J)	
	Imperial	Metric
Measurements		
Work Height Max.	52'9"	16.09m
Platform Height Max.	46'3"	14.09m
Horizontal Outreach	25'2"	7.67m
Up and Over Height	24'10"	7.56m
Platform Length	6'	1.83m
Platform Width	2'6"	0.76m
A Stowed Length	22'3"	6.77m
Length-Transport (jib tucked)	18'11"	5.76m
B Overall Width	7'7"	2.31m
C Stowed Height	7'1"	2.17m
Height-Transport	8'8"	2.65m
D Wheelbase	6'9"	2.06m
E Ground Clearance	1'2"	0.36m

PRODUCTIVITY

Max. Platform Occupancy	2	
Platform Capacity	507 lbs	230kg
Turntable Rotation	355°	355°
Drive Speed-Stowed	3.8mph	6.1km/h
Drive Speed-Raised	0.5mph	0.8km/h
Gradeability	45%	45%
Max. Wind Speed	28mph	12.5m/s
Turning Radius-Inside	6'4"	1.94m
Turning Radius-Outside	14'6"	4.41m
Max.Slope	4.5°/4.5°	4.5°/4.5°
Tires Type	RT Foam-filled	
Tires Size	315/55D20	
Ground Pressure, Tyres	85.3 psi	587.89 kPa

POWER

Power Source	Kubota 36kW/48.3hp Deutz 36.4kw/48.8hp	
Fuel Tank Capacity	17.2gal	65L

HYDRAULIC SYSTEM

Hydraulic Oil Volume	34.3gal	130L
----------------------	---------	------

WEIGHT

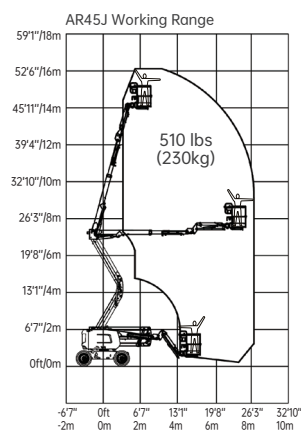
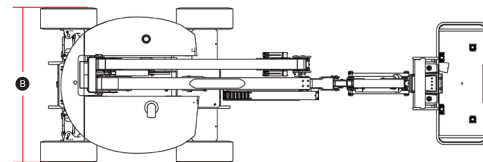
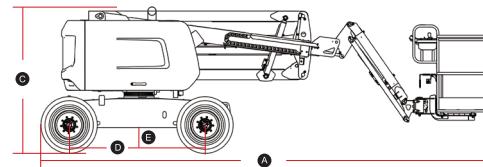
Machine Weight	15,785 lbs	7,160kg
----------------	------------	---------

STANDARD FEATURES

Proportional control	Tilt alarm with lift cut-out
Horn/Hour meter	Platform auto-leveling system
Emergency stop button	On-board diagnostic system
Anti-collision protection	Over tilt protection system
Full-height drive	Four-wheel drive and break
Oscillating axle	Overload sensing system
Platform tool box	Descent alarm with flashing beacon
Telematics connector	RT Foam-filled tires

OPTIONAL

Telematics	Solid tires
AC power to platform	Solid non-marking tires
Hydraulic generator kit	Foam-filled non-marking tires
Cold weather package	Half-height mesh platform
Auxiliary rail	Biodegradable hydraulic oil



Please contact LGMG or a local dealer for more details.

LGMG reserves the right to change technical data without prior notice. All photos and pictures in this brochure are for promotional purposes only.

LGMG North America Inc.

Address: 4105 Live Oak Drive, Suite 100, The Colony, Texas 75056 United States
Email: sales@lmgna.com Tel: +1 833 288 5464

www.lmgna.com



RELIABILITY IN ACTION