

# LGMG

## AR80J

### ARTICULATING BOOM LIFT

- Axle-integrated four-wheel drive system, with strong power and smooth transmission.
- Three steering modes: front-wheel, crab and four wheel steering, to meet the demand of operations in narrow space.
- Realize all-round aerial working through booms compound action.
- Full time floating to ensure driving safety.
- Higher anti-torsional strength frame to satisfy container transportation conditions.



# LGMG Diesel - Articulating Boom Lift

## SPECIFICATIONS

MODELS	AR80J (AR24J)	
	Imperial	Metric
Measurements		
Work Height Max.	87'3"	26.6m
Platform Height Max.	80'9"	24.6m
Horizontal Outreach	59'1"	18m
Up and Over Height	28'11"	8.83m
Platform Length	8'	2.44m
Platform Width	2'11"	0.9m
Ⓐ Stowed Length	36'1"	11.6m
Length-Transport (jib tucked)	29'9"	9.07m
Ⓑ Overall Width	8'2"	2.5m
Ⓒ Stowed Height	9'3"	2.83m
Height-Transport	11'	3.36m
Ⓓ Wheelbase	9'4"	2.85m
Ⓔ Ground Clearance	1'4"	0.4m

PRODUCTIVITY		
Platform Capacity (unrestricted)	551 lbs	250kg
Platform Capacity (restricted)	772 lbs	350kg
Max. Platform Occupancy	2 (unrestricted) / 3 (restricted)	
Turntable Rotation	360°	
Drive Speed-Stowed	3.1mph	5km/h
Drive Speed-Raised	0.5mph	0.8km/h
Gradeability	45%	
Max. Wind Speed	28mph	12.5m/s
Turning Radius-Inside	6'8"	2.04m
Turning Radius-Outside	13'7"	4.13m
Max.Slope	5°/5°	
Tires Type	Foam-filled	
Tires Models	15-625	
Ground Pressure, Tyres	126.8 psi	874.13 kPa

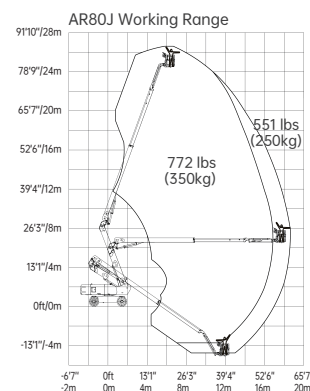
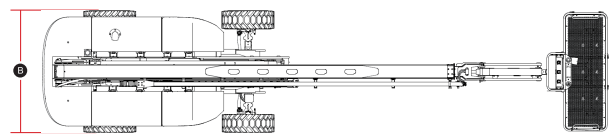
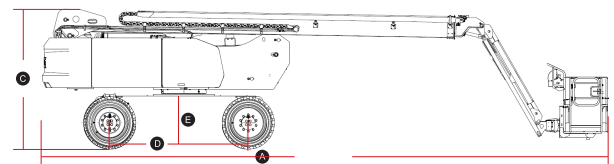
POWER		
Power Source	Kubota 36kw/48.3hp	
Fuel Tank Capacity	26.4gal	100L

HYDRAULIC SYSTEM		
Hydraulic Oil Volume	42.8gal	162L

WEIGHT		
Machine Weight	38,139 lbs	17,300kg

STANDARD FEATURES	
Proportional control	Emergency stop device
Horn/Hour meter	Auto-leveling platform
Full-height drive	Anti-collision protection
Flashing beacons	Over tilt protection system
Cylinder bellows	Platform control cover
Oscillating axle	Overload sensing system
Platform tool box	Intelligent diagnostic system
Telematics connector	Foam-filled tires

OPTIONAL	
Telematics	Solid tires
Cold weather package	Solid non-marking tires
Half-height mesh platform	Foam-filled non-marking tires
Auxiliary rail	Biodegradable hydraulic oil
Hydraulic generator kit	3.5kw Hydraulic generator
AC power to platform	



Please contact LGMG or a local dealer for more details.

LGMG reserves the right to change technical data without prior notice. All photos and pictures in this brochure are for promotional purposes only.

## LGMG North America Inc.

Address: 4105 Live Oak Drive, Suite 100, The Colony, Texas 75056 United States  
 Email: sales@lmgna.com Tel: +1 833 288 5464

www.lmgna.com

