

# LGMG

## M2030SE

### VERTICAL MAST LIFTS

- With light weight and compact size, it can be used both indoor and outdoor.
- Self-leveling chain system, and each mast can rise and fall synchronously.
- Hinged double opening cover for easier maintenance.
- Standard with extension deck and large working capacity.



# LGMG VERTICAL MAST LIFTS

## SPECIFICATIONS

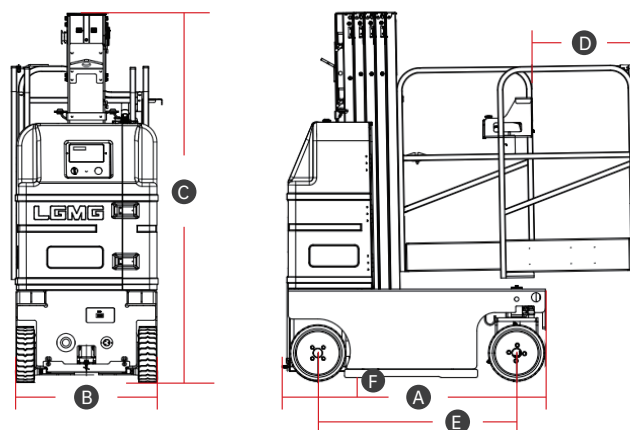
MODELS	M2030SE	
Measurements	Imperial	Metric
Working Height Max.	26'3"/22'4" (in / out)	8m/6.8m (in / out)
Platform Height(Raised)	19'8"/15'9" (in / out)	6m/4.8m (in / out)
Platform Size	31"x30"	0.79x0.75m
Ⓐ Overall Length	4'7"	1.4m
Ⓑ Overall Width	2'6"	0.76m
Ⓒ Overall Height (Stowed)	6'6"	1.99m
Ⓓ Extension Deck	1'8"	0.5m
Ⓔ Wheelbase	3'7"	1.08m
Ⓕ Ground Clearance (Stowed)	2"	55mm
PRODUCTIVITY		
Max. Platform Occupants	1(in) / 1(out)	
Platform Capacity	352 lbs	160kg
Platform Capacity - Extension	352 lbs	160kg
Drive Mode	Front wheels Drive	
Brakes	Front-wheels Brake	
Drive Speed (Stowed)	1.9mph	3km/h
Drive Speed (Rised)	0.5mph	0.8km/h
Gradeability	25%	25%
Tire Size	12"x4"	305x100mm
Ground Pressure, Tyres	123.3 psi	850 kPa
POWER		
Power Source	24V (2x12V),100Ah,AGM	
HYDRAULIC SYSTEM		
Hydraulic Oil Capacity	1.3gal	5gal
WEIGHT		
Machine Weight	2,579 lbs	1,170kg

### STANDARD FEATURES

Proportional control	Emergency stop device
Horn/Hour meter	Manual brake release
Bottom oil tray	Charging protection system
Emergency descent	Descent alarm with flashing beacon
Pothole guard	Front wheel brake
Full-height drive	Front wheel steering, front wheel drive
Tilt alarm	Telematics connector
Platform tool box	Solid non-marking tires

### OPTIONAL

AC power to platform	Biodegradable hydraulic oil
Telematics	



Please contact LGMG or a local dealer for more details.

LGMG reserves the right to change technical data without prior notice. All photos and pictures in this brochure are for promotional purposes only.

## LGMG North America Inc.

Address: 4105 Live Oak Drive, Suite 100, The Colony, Texas 75056 United States  
 Email: sales@lmgna.com Tel: +1 833 288 5464

www.lmgna.com



RELIABILITY IN ACTION