

LGMG

M2030SE

M2530SE

VERTICAL MAST LIFTS

- With light weight and compact size, it can be used both indoor and outdoor.
- Self-leveling chain system, and each mast can rise and fall synchronously.
- Hinged double opening cover for easier maintenance.
- Standard with extension deck and large working capacity.



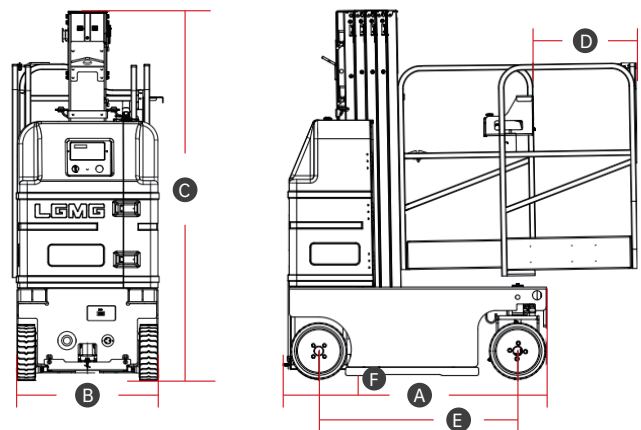
LGMG VERTICAL MAST LIFTS

SPECIFICATIONS

| MODELS | M2030SE | M2530SE |
|------------------------------------|---------------------------|---------------------------|
| Measurements | Imperial | Imperial |
| Working Height Max. | 26'3"/22'4" (in / out) | 31'2"/26'3" (in / out) |
| Platform Height(Raised) | 19'8"/15'9" (in / out) | 24'7"/19'8" (in / out) |
| Platform Size | 31"x30" | 31"x30" |
| A Overall Length | 4'7" | 4'9" |
| B Overall Width | 2'6" | 2'7" |
| C Overall Height (Stowed) | 6'6" | 6'6" |
| D Extension Deck | 1'8" | 1'8" |
| E Wheelbase | 3'7" | 3'8" |
| F Ground Clearance (Stowed) | 2" | 2" |
| PRODUCTIVITY | | |
| Max. Platform Occupants | 1(in) / 1(out) | |
| Platform Capacity | 352 lbs | 352 lbs |
| Platform Capacity - Extension | 352 lbs | 352 lbs |
| Drive Mode | Front wheels Drive | |
| Brakes | Front-wheels Brake | |
| Drive Speed (Stowed) | 1.9mph | 1.9mph |
| Drive Speed (Rised) | 0.5mph | 0.5mph |
| Gradeability | 25% | 25% |
| Tire Size | 12"x4" | 12"x4" |
| POWER | | |
| Power Source | 24V (2x12V),100Ah,AGM | 24V (2x12V),90Ah,AGM |
| HYDRAULIC SYSTEM | | |
| Hydraulic Oil Capacity | 1.3gal | 1.3gal |
| WEIGHT | | |
| Machine Weight | 2,580 lbs | 3,330 lbs |

| STANDARD FEATURES | |
|-------------------------|---|
| Proportional control | Emergency stop device |
| Horn/Hour meter | Manual brake release |
| Bottom oil tray | Charging protection system |
| Emergency descent | Descent alarm with flashing beacon |
| Pothole guard | Front wheel brake |
| Full-height drive | Front wheel steering, front wheel drive |
| Tilt alarm | Telematics connector |
| Solid non-marking tires | Maintenance-free battery |

| OPTIONAL | |
|----------------------|-------------------|
| AC power to platform | Platform tool box |
| Telematics | |



Please contact LGMG or a local dealer for more details.
LGMG reserves the right to change technical data without prior notice. All photos and pictures in this brochure are for promotional purposes only.

LGMG North America Inc.

Address: 4105 Live Oak Drive, Suite 100, The Colony, Texas 75056 United States
Email: sales@lmgna.com Tel: +1 833 288 5464

www.lmgna.com



RELIABILITY IN ACTION