

# LGMG

## M2640JE

### VERTICAL MAST LIFTS



- Compact size and light-weight, zero tail-swing, easy to operate and transport.
- Eco-friendly, zero-emission, highly efficient electric drive, more productive with longer working hours.
- Excellent "up-and-over" capability, 10' 6" (3.2m) horizontal outreach and larger working envelope.
- Easy to maintain, reducing cost.



# LGMG Vertical Mast Lifts

## SPECIFICATIONS

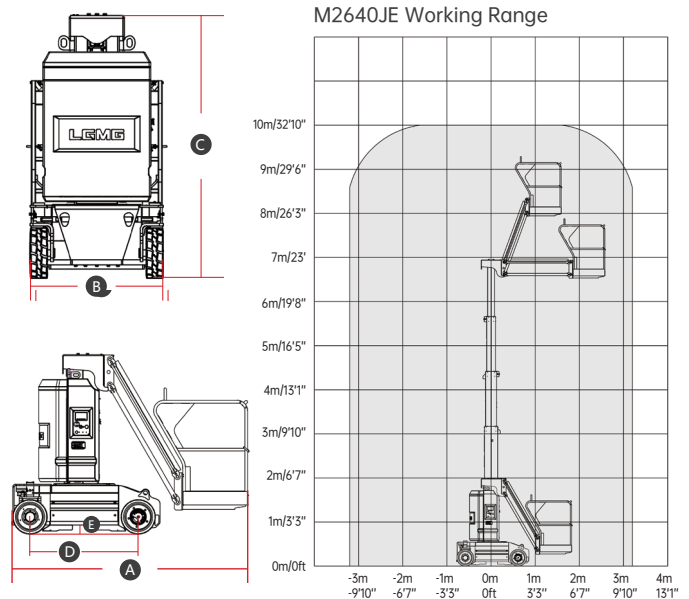
MODELS	M2640JE ( M0810JE )	
Measurements	Imperial	Metric
Working Height Max.	32'10"	10m
Platform Height(Raised)	26'3"	8m
Horizontal Outreach	10'6"	3.2m
Up and Over Clearance Max.	21'8"	6.6m
Platform Size(L×W)	39"×28"	0.98×0.72m
<b>A</b> Overall Length	8'6"	2.6m
<b>B</b> Overall Width	3'3"	1m
<b>C</b> Overall Height(Stowed)	6'6"	1.99m
<b>D</b> Wheelbase	3'11"	1.2m
<b>E</b> Ground Clearance	4"	0.1m
PRODUCTIVITY		
Max. Platform Occupancy	2 (in) / 1 (out)	
Platform Capacity	440 lbs	200kg
Drive Mode	Rear Wheel	
Brakes	Rear Wheel	
Turntable Rotation	345°	345°
Max. Drive Speed (Stowed)	2.2mph	3.5km/h
Max. Drive Speed (Raised)	0.27mph	0.43km/h
Gradeability	25%	25%
Tailswing	0	0
Tire Size	15"×5"	380×130mm
Ground Pressure, Tyres	196.2 psi	1,353 kPa
POWER		
Power Source	24V,250Ah,FLA	
HYDRAULIC SYSTEM		
Hydraulic Oil Capacity	1.7gal	6.5L
WEIGHT		
Machine Weight (ANSI/CE)	5,997 lbs	2,720kg

## STANDARD FEATURES

Proportional control	Emergency stop device
Horn/Hour meter	Charge protection system
Full-height drive	Manual emergency pump
All motions alarm	Telematics connector
Brake release	Descent alarm with flashing beacon
Emergency descent	Solid non-marking tires
Tilt alarm	

## OPTIONAL

AC power to platform	Anti-collision protection
Telematics	Biodegradable hydraulic oil



Please contact LGMG or a local dealer for more details.

LGMG reserves the right to change technical data without prior notice. All photos and pictures in this brochure are for promotional purposes only.

## LGMG North America Inc.

Address: 4105 Live Oak Drive, Suite 100, The Colony, Texas 75056 United States  
 Email: sales@lmgna.com Tel: +1 833 288 5464

www.lmgna.com

**LGMG**  
 RELIABILITY IN ACTION