

# LGMG

## S3246E II

**ELECTRIC MOTOR DRIVE  
SCISSOR LIFT**

- Large lower control panel
- Entire range designed for indoor and outdoor use
- Universal key components
- More convenient to maintain
- Optional lithium battery for the entire product range



# LGMG ELECTRIC MOTOR DRIVE SCISSOR LIFT

## SPECIFICATIONS

MODELS	S3246EII ( S1012EII )	
Measurements	Imperial	Metric
Work Height Max.	39'4"	12m
<b>A</b> Platform Height-Raised	32'10"	10m
<b>B</b> Platform Length	7'5"	2.26m
<b>C</b> Platform Width	3'8"	1.12m
<b>D</b> Overall Length	8'2"	2.49m
<b>E</b> Overall Width	3'10"	1.18m
<b>F</b> Overall Height-Guardrails Up	8'2"	2.49m
<b>G</b> Overall Height-Guardrails Down	5'6"	1.68m
<b>H</b> Extension Deck	2'11"	0.9m
<b>I</b> Wheelbase	6'1"	1.85m
Ground Clearance(Stowed/Raised)	4"/1"	100/20mm

### PRODUCTIVITY

Max. Platform Occupants	2 (in) / 1(out)	
Platform Capacity	705 lbs	320kg
Platform Capacity-Extension Deck	265 lbs	120kg
Drive Height	Full Height	
Gradeability-Stowed	25%	
Min. Turning Radius	8'	2.45m
Raise/Lower Speed	58s / 48s	
Brakes	Front-wheel Brake	
Drive Mode	4x2	
Tire Type	Solid Non-marking	
Tire Size	15"x5"	380x130mm
Ground Pressure, Tyres	196.5 psi	1,355 kPa

### POWER

Power Source	24V (4x6V),240Ah,FLA	
Power Source	24V (4x6V),226Ah,AGM	

### HYDRAULIC SYSTEM

Hydraulic Oil Capacity	6.1gal	23L
------------------------	--------	-----

### WEIGHT

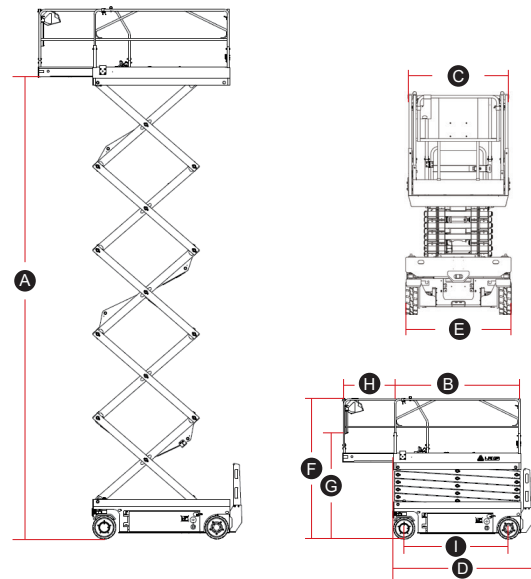
Machine Weight	6,603 lbs	2,995kg
----------------	-----------	---------

### STANDARD FEATURES

Proportional control	Indoor and outdoor rated
Foldable guardrail	Emergency stop device
Manual brake release	Swing-out component tray
Emergency descent	Tilt alarm with lift cut-out
Pothole guard	Overload sensing system
Self-lock entry gate	Descent alarm with flashing beacon
All motions alarm	Intelligent diagnostic system
Full-height drive	Solid non-marking tires

### OPTIONAL

AC power to platform	Anti-collision protection
Voice alarm system	Maintenance-free battery
Telematics	Biodegradable hydraulic oil



Please contact LGMG or a local dealer for more details.

LGMG reserves the right to change technical data without prior notice. All photos and pictures in this brochure are for promotional purposes only.

## LGMG North America Inc.

Address: 4105 Live Oak Drive, Suite 100, The Colony, Texas 75056 United States  
 Email: sales@lmgna.com Tel: +1 833 288 5464

www.lmgna.com



RELIABILITY IN ACTION