

LGMG

SR2669D

DUAL FUEL RT SCISSOR LIFT

- High capacity, large platform with compact design maximizes productivity.
- Dual fuel independent supply system, driven by gasoline or LPG.
- Oscillating axles and four-wheel drive provide better performance on rough terrain job sites.
- The overload system and motion alarm help the operator to complete the job in a much safer way.
- On-board self-diagnosis system makes it easier for quick troubleshooting.



LGMG Dual Fuel RT Scissor Lift

SPECIFICATIONS

MODELS	SR2669D (SR0818D)	
Measurements	Imperial	Metric
Work Height Max.	31'10"	9.7m
A Platform Height - Raised	25'3"	7.7m
B Platform Height - Stowed	4'10"	1.48m
C Platform Length	9'2"	2.79m
D Platform Width	5'3"	1.6m
E Overall Length (with ladder)	12'4"	3.76m
F Overall Width	5'10"	1.79m
G Overall Height - Rails up	8'6"	2.58m
Overall Height - Rails down	6'2"	1.89m
H Extension Deck	5'	1.52m
I Wheelbase	7'6"	2.29m
Ground Clearance-Center	9"	0.23m

PRODUCTIVITY

Max. Platform Occupancy	4 (in) / 4 (out)	
Platform Capacity	1,499 lbs	680kg
Platform Capacity - Extension	310 lbs	140kg
Drive Height	Full Height	
Gradeability - Stowed	40%	
Min. Turning Radius	15'7"	4.75m
Raise/Lower Speed	35 / 30s	
Brakes	Four-wheel brake	
Drive Mode	4x4	
Tire Type	RT Foam-filled	
Tire Size	26"x12"	663x283mm

POWER

Power Source	Kubota WG972 20.5kW/27.5hp Gas/LPG Dual Fuel	
Fuel Tank Capacity	14gal	53L

HYDRAULIC SYSTEM

Hydraulic Oil Volume	13.21gal	50L
----------------------	----------	-----

WEIGHT

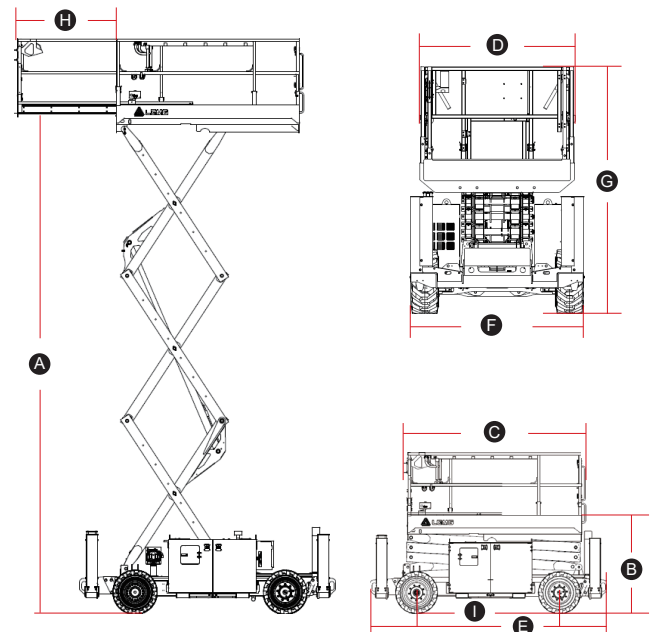
Machine Weight	8,937 lbs	4,054kg
----------------	-----------	---------

STANDARD FEATURES

Proportional control	Emergency stop device
Foldable guardrail	Manual brake release
Emergency descent	Tilt alarm with lift cut-out
Oscillating axle	Overload sensing system
Self-lock entry gate	Intelligent diagnostic system
All motions alarm	Descent alarm with flashing beacon
RT Foam-filled tires	

OPTIONAL

Telematics	Solid tires
AC power to platform	Solid non-marking tires
Auto-leveling outriggers	Foam-filled non-marking tires
Cold weather package	Biodegradable hydraulic oil



Please contact LGMG or a local dealer for more details.

LGMG reserves the right to change technical data without prior notice. All photos and pictures in this brochure are for promotional purposes only.

LGMG North America Inc.

Address: 4105 Live Oak Drive, Suite 100, The Colony, Texas 75056 United States
Email: sales@lmgna.com Tel: +1 833 288 5464

www.lmgna.com



RELIABILITY IN ACTION