

# LGMG

## SR3369D

### DUAL FUEL RT SCISSOR LIFT

- Larger work platform with high capacity offers great productivity.
- Dual fuel independent supply system, driven by gasoline or LPG.
- Oscillating axles and four-wheel drive provide better performance on rough terrain job sites.
- The overload system and motion alarm help the operator to complete the job in a much safer way.
- On-board self-diagnosis system makes it easier for quick troubleshooting.



# LGMG Dual Fuel RT Scissor Lift

## SPECIFICATIONS

MODELS	SR3369D ( SR1018D )	
Measurements	Imperial	Metric
Work Height Max.	38'5"	11.7m
<b>A</b> Platform Height - Raised	31'10"	9.7m
<b>B</b> Platform Height - Stowed	4'9"	1.45m
<b>C</b> Platform Length	9'2"	2.79m
<b>D</b> Platform Width	5'3"	1.6m
<b>E</b> Overall Length	12'4"	3.76m
<b>F</b> Overall Width	5'10"	1.79m
<b>G</b> Overall Height - Rails up	8'4"	2.55m
Overall Height - Rails down	6'2"	1.89m
<b>H</b> Extension Deck	5'	1.52m
<b>I</b> Wheelbase	7'6"	2.29m
Ground Clearance-Center	9"	0.23m

### PRODUCTIVITY

Max. Platform Occupancy	4(in) / 2(out)	
Platform Capacity	1,000 lbs	454kg
Platform Capacity - Extension	310 lbs	140kg
Drive Height	Full Height	
Gradeability - Stowed	35%	
Min. Turning Radius	15'7"	4.75m
Raise/Lower Speed	39 / 46s	
Brakes	Four-wheel brake	
Drive Mode	4x4	
Tires Type	RT Foam-filled	
Tires Size	26"x12"	663x283mm
Ground Pressure, Tyres	76.1 psi	524.48 kPa

### POWER

Power Source	Kubota WG972 20.5kW/27.5hp Gas/LPG Dual Fuel	
Fuel Tank Capacity	14gal	53L

### HYDRAULIC SYSTEM

Hydraulic Oil Volume	13.2gal	50L
----------------------	---------	-----

### WEIGHT

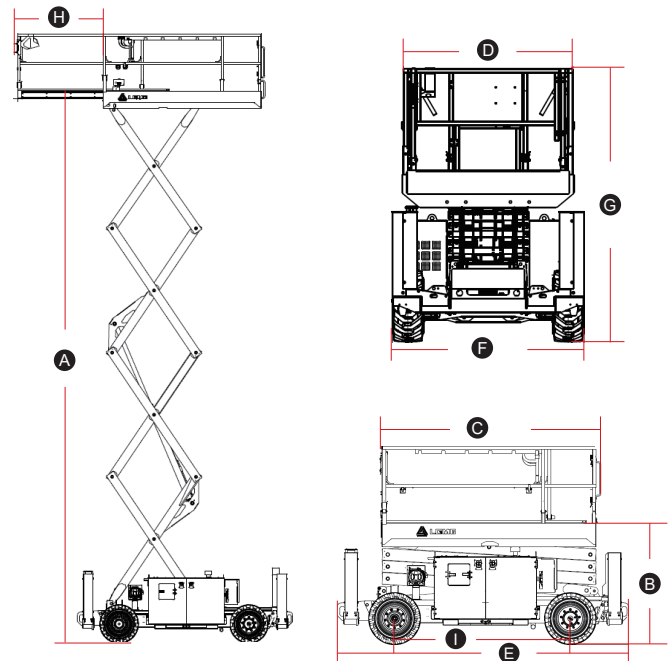
Machine Weight	9,545 lbs	4,330kg
----------------	-----------	---------

### STANDARD FEATURES

Proportional control	Emergency stop device
Foldable guardrail	Manual brake release
Emergency descent	Tilt alarm with lift cut-out
Oscillating axle	Overload sensing system
Self-lock entry gate	Intelligent diagnostic system
All motions alarm	Descent alarm with flashing beacon
Auto-leveling outriggers	RT Foam-filled tires

### OPTIONAL

Telematics	Solid tires
AC power to platform	Solid non-marking tires
Cold weather package	Foam-filled non-marking tires
Biodegradable hydraulic oil	



Please contact LGMG or a local dealer for more details.

LGMG reserves the right to change technical data without prior notice. All photos and pictures in this brochure are for promotional purposes only.

## LGMG North America Inc.

Address: 4105 Live Oak Drive, Suite 100, The Colony, Texas 75056 United States  
Email: sales@lmgna.com Tel: +1 833 288 5464

www.lmgna.com



RELIABILITY IN ACTION