

LGMG

T85J-H

TELESCOPIC BOOM LIFT



LGMG has a complete line of engine-driven, high-capacity telescopic boom aerial work platforms, with the maximum working height ranging from 71' 6" to 97' 9" (21.8/29.8m). With a double capacity design of 992/661lbs (450/300kg), the machine can allow up to 3 people to work at the same time both indoors and outdoors, which greatly improves work efficiency.

LGMG Diesel Telescopic Boom Lift

SPECIFICATIONS

MODELS	T85J-H (T26J-H)	
	Imperial	Metric
Measurements		
Work Height Max.	91'6"	27.9m
Platform Height Max.	85'	25.9m
Horizontal Outreach Max.	70'10"	21.6m
Platform Length	8'	2.44m
Platform Width	2'11"	0.9m
A Stowed Length	41'9"	12.72m
Length-Transport (jib tucked)	36'1"	11m
B Overall Width	8'2"	2.5m
C Stowed Height	9'3"	2.83m
Height-Transport	9'10"	2.99m
D Wheelbase	9'4"	2.85m
E Ground Clearance	1'5"	0.43m

PRODUCTIVITY

Max. Platform Occupants	2 (unrestricted) / 3 (restricted)	
Platform Capacity (unrestricted)	661 lbs	300kg
Platform Capacity (restricted)	992 lbs	450kg
Turntable Rotation	360°Continuous	
Drive Speed-Stowed	3mph	4.8km/h
Drive Speed-Raised	0.5mph	0.8km/h
Gradeability	45%	45%
Max. Wind Speed	28mph	12.5m/s
Turning Radius-Inside	12'	3.66m
Turning Radius-Outside	21'6"	6.55m
Max.Slope	5°/5°	5°/5°
Tire Type	RT Foam-filled	
Tire Size	18-625	18-625
Ground Pressure, Tyres	130.2 psi	898 kPa

POWER

Power	Kubota 54.6kW/73.2hp Deutz 55.4kw/74.3hp	
Fuel Tank Capacity	26.4gal	100L

HYDRAULIC SYSTEM

Hydraulic Oil Volume	47.5gal	180L
----------------------	---------	------

WEIGHT

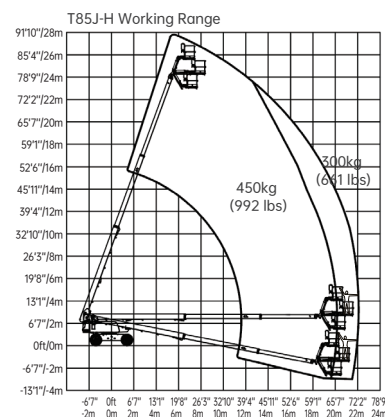
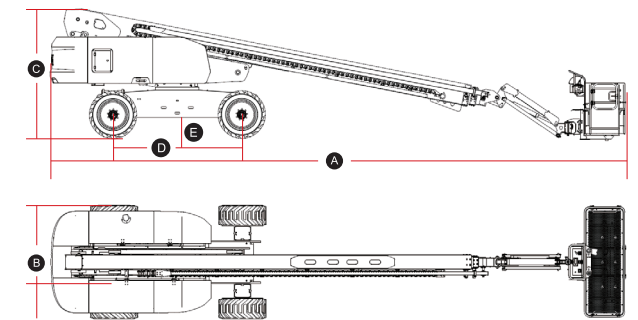
Machine Weight	40,345 lbs	18,300kg
----------------	------------	----------

STANDARD FEATURES

Proportional control	Emergency stop button
Horn/Hour meter	Auto-leveling platform
Platform control cover	Anti-collision protection
Flashing beacons	Over-tilt protection system
Cylinder bellows	Overload sensing system
Platform tool box	Intelligent diagnostic system
Oscillating axle	Descent alarm with flashing beacon
Telematics connector	RT Foam-filled tires

OPTIONAL

Telematics	Foam-filled non-marking tires
Glazier kit	Half-height mesh platform
Auxiliary rail	AC power to platform
Hydraulic generator kit	12kw Hydraulic generator
Hydraulic oil radiator	Biodegradable hydraulic oil
Cold weather package	



Please contact LGMG or a local dealer for more details.

LGMG reserves the right to change technical data without prior notice. All photos and pictures in this brochure are for promotional purposes only.

LGMG North America Inc.

Address: 4105 Live Oak Drive, Suite 100, The Colony, Texas 75056 United States
Email: sales@lmgna.com Tel: +1 833 288 5464

www.lmgna.com



RELIABILITY IN ACTION