

LGMG

T92J-H

TELESCOPIC BOOM LIFT

LGMG has a complete line of engine-driven, high-capacity telescopic boom aerial work platforms, with the maximum working height ranging from 21.8 to 29.8 meters (71' 6" / 97' 9"). With a double capacity design of 450/300kg (992/661lbs), the machine can allow up to 3 people to work at the same time both indoors and outdoors, which greatly improves work efficiency.



LGMG Diesel Telescopic Boom Lift

SPECIFICATIONS

MODELS	T92J-H	
	Metric	Imperial
Measurements		
Work Height Max.	29.8m	97'9"
Platform Height Max.	27.8m	91'2"
Horizontal Outreach Max.	21.6m	70'10"
Platform Length	2.44m	8'
Platform Width	0.9m	2'11"
A Stowed Length	13.4m	44'
Length-Transport (jib tucked)	11.47m	37'8"
B Overall Width	2.5m	8'2"
C Stowed Height	2.83m	9'3"
Height-Transport	3.02m	9'11"
D Wheelbase	2.85m	9'4"
E Ground Clearance	0.43m	1'5"

PRODUCTIVITY

Max. Platform Occupants	2 (unrestricted) / 3 (restricted)	
Platform Capacity (unrestricted)	300kg	661 lbs
Platform Capacity (restricted)	450kg	992 lbs
Turntable Rotation	360°Continuous	
Drive Speed-Stowed	4.8km/h	3mph
Drive Speed-Raised	0.8km/h	0.5mph
Gradeability	45%	45%
Max. Wind Speed	12.5m/s	28mph
Turning Radius-Inside	3.66m	12'
Turning Radius-Outside	6.55m	21'6"
Max.Slope	5°/5°	5°/5°
Tire Type	RT Foam-filled	
Tire Size	18-625	18-625

POWER

Power	Deutz TD2.9L4 / Kubota V3307	
Fuel Tank Capacity	100L	26.4gal

HYDRAULIC SYSTEM

Hydraulic Oil Volume	180L	47.5gal
----------------------	------	---------

WEIGHT

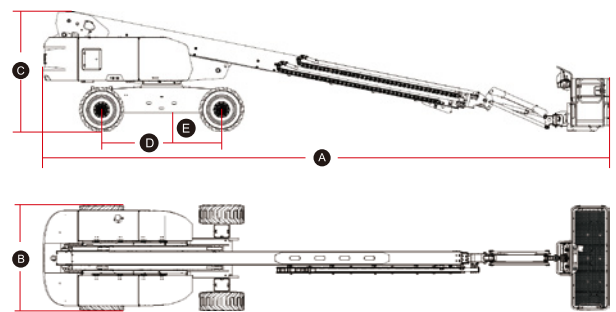
Machine Weight (CE/ANSI)	18800kg	41447 lbs
--------------------------	---------	-----------

STANDARD FEATURES

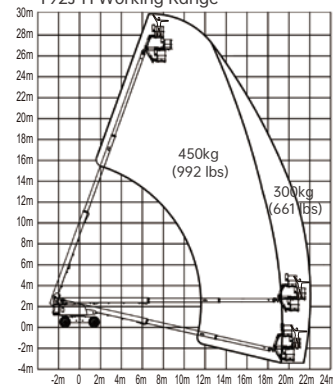
Proportional control	Emergency stop button
Horn/Hour meter	Auto-leveling platform
Platform control cover	Anti-collision protection
Flashing beacons	Over-tilt protection system
Cylinder bellows	Overload sensing system
Platform tool box	Intelligent diagnostic system
Oscillating axle	Descent alarm with flashing beacon
Telematics connector	RT Foam-filled tires

OPTIONAL

Telematics	Foam-filled non-marking tires
Glazier kit	Half-height mesh platform
Auxiliary rail	AC power to platform
Hydraulic generator kit	3.5kw Hydraulic generator
Hydraulic oil radiator	Biodegradable hydraulic oil
Cold weather package	



T92J-H Working Range



Please contact LGMG or a local dealer for more details.

LGMG reserves the right to change technical data without prior notice. All photos and pictures in this brochure are for promotional purposes only.

This brochure comes into effect in May, 2023.

LINGONG HEAVY MACHINERY CO., LTD.

Address: No. 2676, Kejia Road, Jinan, Shandong, China

Email: sales@lmgm.com.cn Tel: +86 531 6787 9283

LGMG Europe B.V.

Address: Donker Duyvisweg 301, 3316 BL Dordrecht, The Netherlands

Email: sales@lmgmeurope.com Tel: +31 850 642 777

LGMG North America Inc.

Address: 4105 Live Oak Drive, Suite 100, The Colony, Texas 75056 United States

Email: sales@lmgmna.com Tel: +1 833 288 5464

www.lmgmlifts.com



LGMG
RELIABILITY IN ACTION